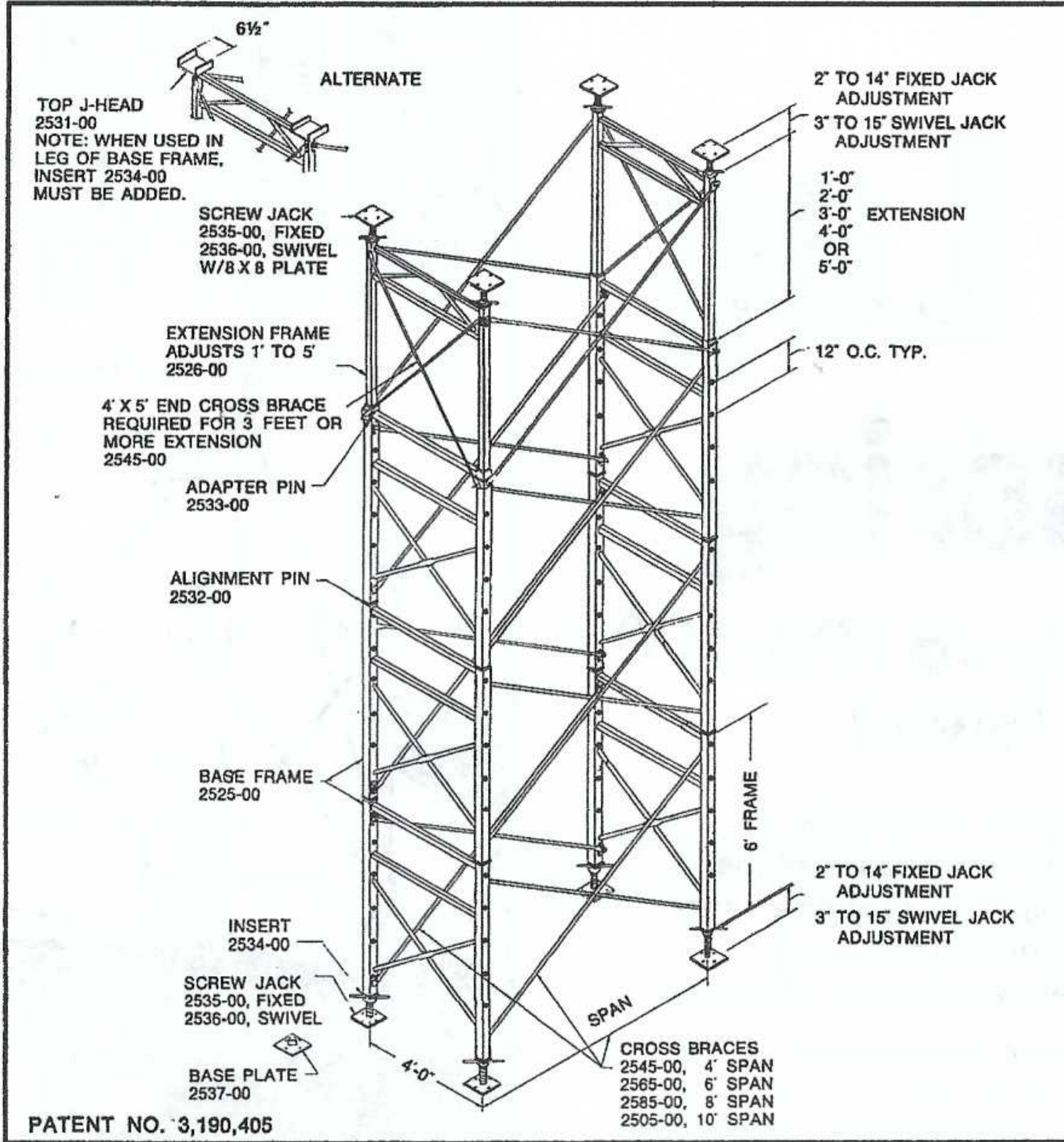


WACO Shore "X"[®] perfected by builders

designed by engineers,

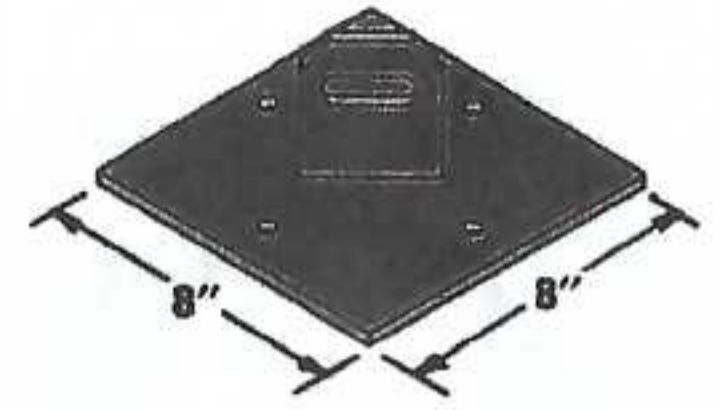


ALIGNMENT PIN



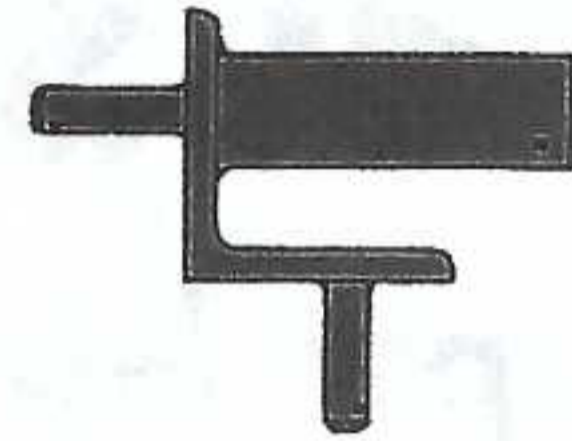
2532-00
Wt. 3 lbs.

BASE PLATE



2537-00
Wt. 10 lbs.

ADAPTER PIN



2533-00
Wt. 3 lbs.

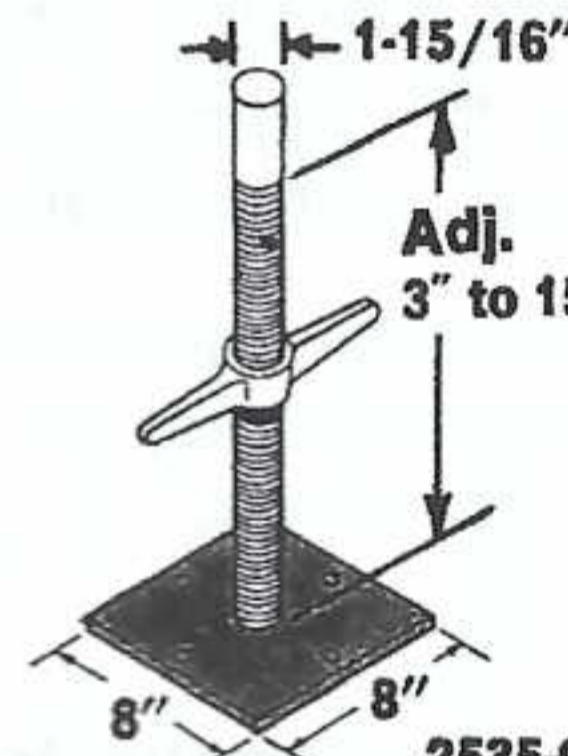
INSERT FOR SCREW



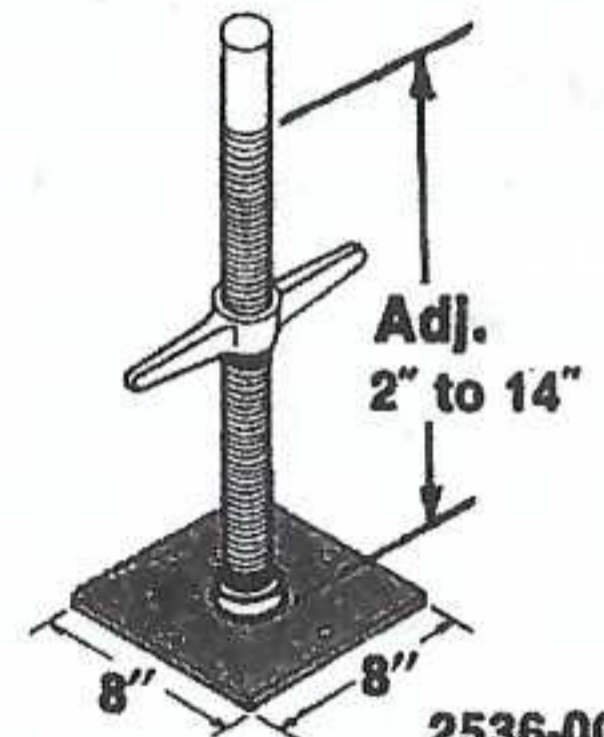
2534-00
Converts Screws
To Fit Base Frame
Wt. 4 lbs.

PAT. NO. 3,346,283

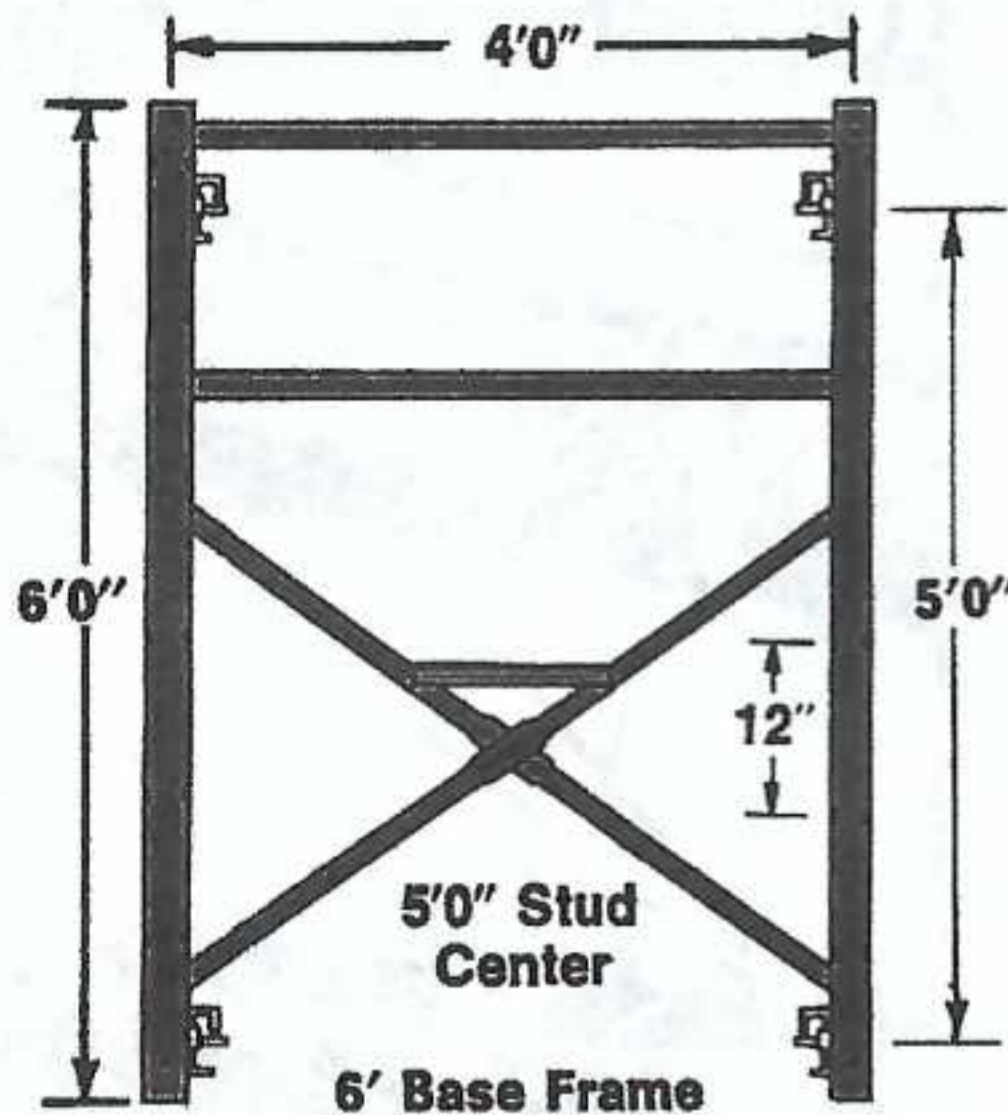
FIXED & SWIVEL SCREW JACKS



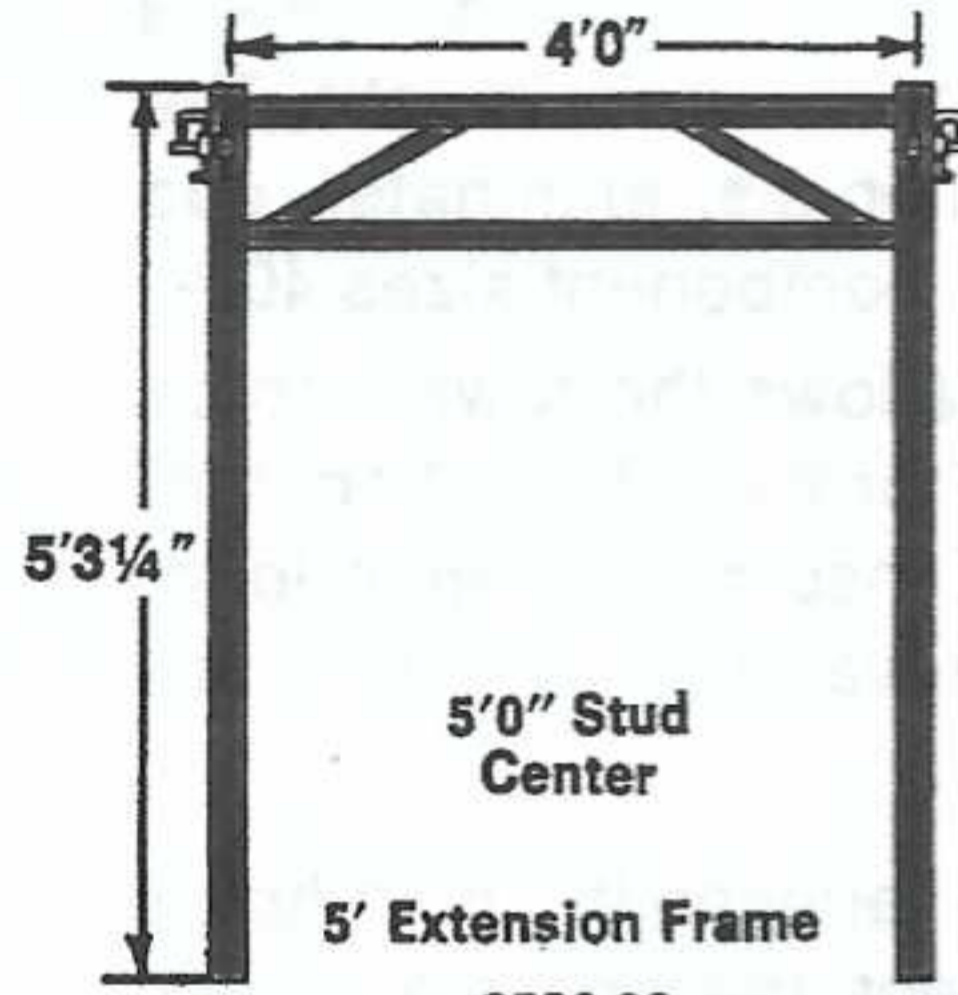
2535-00
Wt. 25 lbs.



2536-00
Wt. 26 lbs.

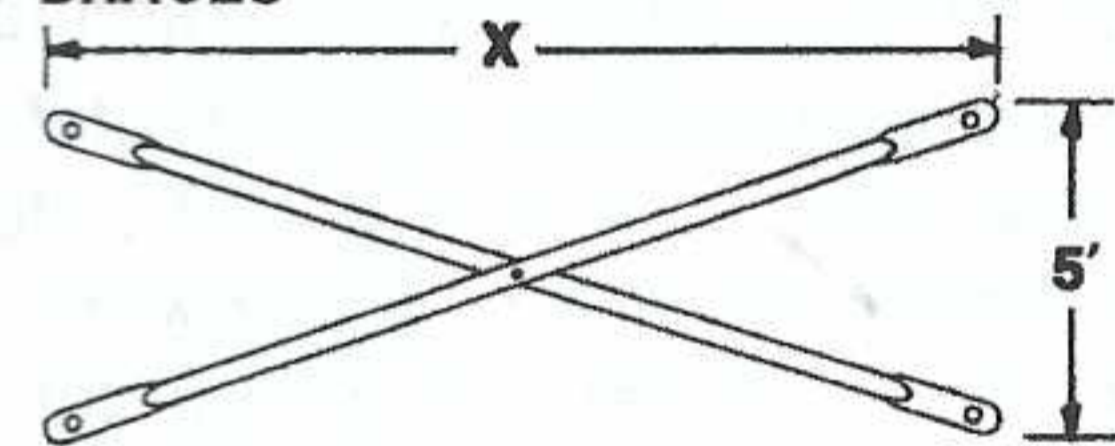


2525-00
Wt. 116 lbs.



2526-00
Wt. 101 lbs.

CROSS BRACES



Part No.	Size	X	Wt. (lbs.)
2545-00	4'x5'	4'0"	14
2565-00	6'x5'	6'0"	18
2585-00	8'x5'	8'0"	21
2505-00	10'x5'	10'0"	27

WACO Branches at:

Addison, Ill. 60101 (312) 543-7710
Beltsville, Md. 20705 (301) 937-8300
Dallas, Texas 75207 (214) 631-0680
Long Beach, Ca. 90810 (213) 775-6756
Minneapolis, Minn. 55415 (612) 336-8382
Phoenix, Ariz. 85034 (602) 967-
San Leandro, Ca. 94577 (415) 3-
Schiller Park, Ill. 60176 (312) 67-
Seattle, Wash. 98108 (206) 762-3083
Tampa, Fla. 33610 (813) 626-2157
Woburn, Mass. 01801 (617) 935-6650

Factory: Cleveland, Ohio



SCAFFOLD & SHORING CO.

A Bliss and Laughlin Industry
P. O. Box 66415 • O'Hare Airport
Chicago, Illinois 60666